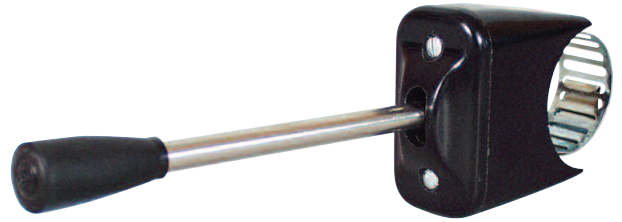


auto electrical parts

Technical Information Sheet

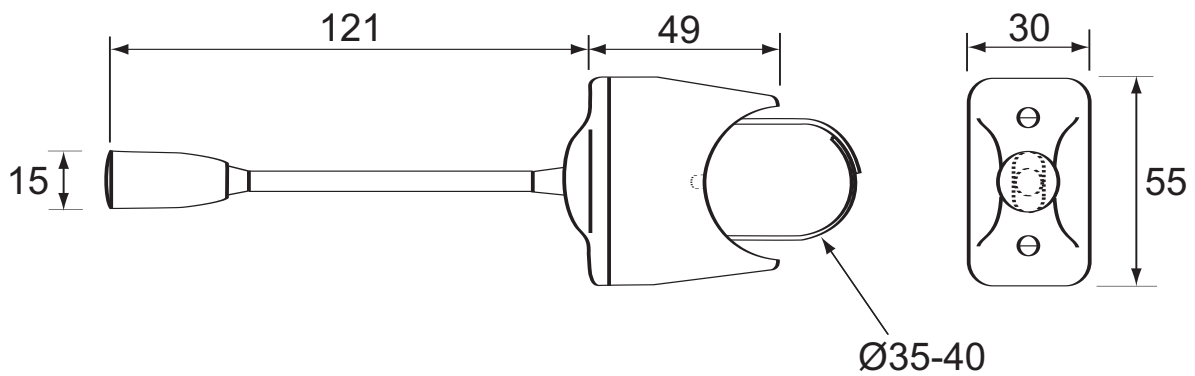
Part No. 0-612-00

Steering column indicator switch. On/Off/On, 3 position single pole switch for mounting on 35 - 40mm diameter column. Rated 3 amps at 24 volt dc. Stalk length 121mm.



TERMS	1	0	2
A-B			■
A-C	■		

Technical Drawing (not to scale)



Specification

Type	Indicator switch
Voltage rating	12/24 volt dc
Current	3 amp @ 24 volt dc
Column diameter	35 to 40mm
Terminals	Screw
Weight	125g
Dimensions	See drawing

The information contained in this document is correct to the best of our knowledge at the time of printing. However, specifications may change at any time without notice.